



WaterFix® toilet checklist

This checklist will help ensure your toilet can be replaced as part of WaterFix®. Please complete it before you call us about a toilet replacement. You'll need a measuring tool to complete the steps below. Unfortunately, we can't replace all toilets so it's important to check your current plumbing first.

We may not be able to replace your toilet if:

- the distance and/or angle of the outlet pipe won't allow the new toilet suite to fit and can't be adjusted
- major additional work is required, including the need to replace unstable floorboards or rare tiles
- the plumber believes their health or safety would be at risk. This may occur if there is an electric current in your water service or the building is deemed structurally unsound.

Toilet checklist

Where is your outlet pipe? Select the relevant option and add in the measurement below.

1. In the floor behind the toilet (Diagram 1 – S Trap)

Distance between centre of outlet pipe to **wall** _____ cm.

If you have an S Trap, you can choose one of these compatible toilets:

- Caroma: Standard model 1 toilet
- Caroma: Standard model 2 toilet
- Caroma: Mid-range toilet
- Caroma: Premium toilet

2. In the wall behind the toilet (Diagram 2 – P Trap)

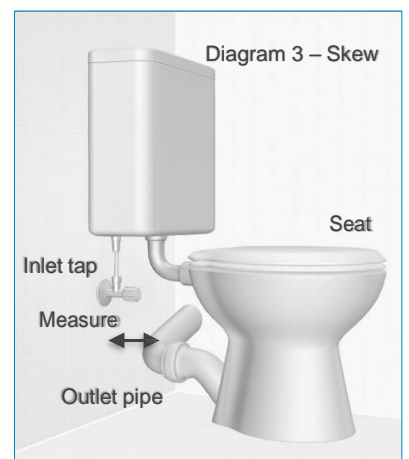
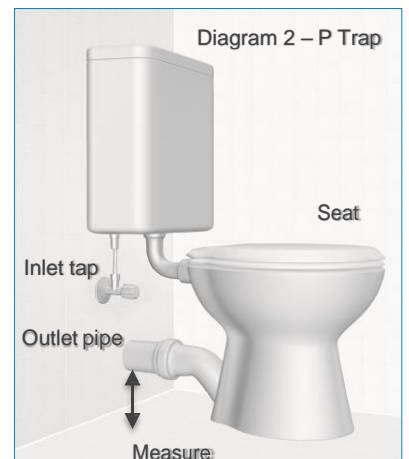
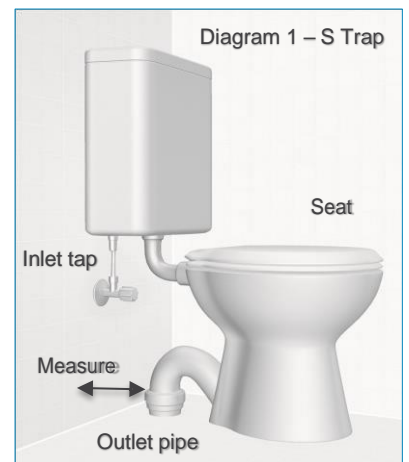
Distance between centre of outlet pipe to **floor** _____ cm.

Does the outlet pipe go into the wall at an angle?

Yes No

If you have a P Trap, you can choose one of these compatible toilets:

- Caroma: Standard model 1 toilet
- Caroma: Standard model 2 toilet
- Caroma: Mid-range toilet
- Caroma: Premium toilet





3. In the wall beside the toilet (Diagram 3 – Skew)

Distance between centre of outlet pipe to wall _____ cm

If you have a skew pan toilet, we only offer one model - Caroma: Skew pan connector suite

Where is your inlet tap? Please circle the relevant answer below.

- Higher than toilet seat
- Lower than toilet seat
- Not sure

If you're a tenant, do you have your landlord's permission to take part in this service? Please circle the relevant answer below.

- Yes
- No

Please be aware: Once we've installed your new toilet, you won't be able to sit on it, or put any weight on it, for 24 - 48 hours while the cement hardens.

If you have a toilet that can't be replaced as part our service and would like more information, please call us on 1800 807 475.